



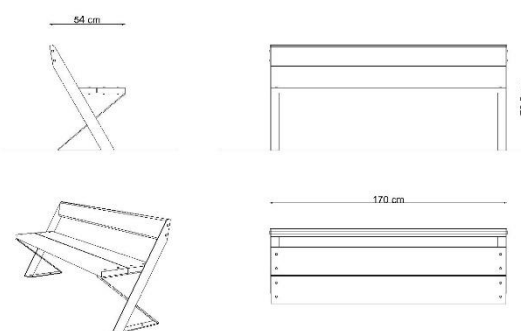
## TECHNICAL DATA:

According to standard EN 1176-1:2017

Device dimensions: 1,70 x 0,54m  
 Device height: 0,76m

The device according to EN 1176-1:2017  
 Playground equipment and surfacing – Part 1:  
 General safety requirements and test methods

## Projection and device view



## MATERIALS:

Construction: galvanized steel, powder coated  
 Seat, backrest: iroko wood



GRUPA SATERNUS. S.A.  
 ul. Nowa 32  
 41-500 Chorzów, Poland

Certificate beholder:  
 Producer:  
 Distributor:

GRUPA SATERNUS S. A. reserves all rights to protect copyright  
 Under the Act of February 4, 1994 on Copyright and Related Rights  
 (Journal of Laws No. 28, pc 83), and in particular Art. 78 and 79 of this Law.

GRUPA SATERNUS S.A.  
 Saternus Production Sp. z o.o. sp. k.  
 Saternus Distribution Sp. z o.o. sp. k.