

TECHNICAL DATA:

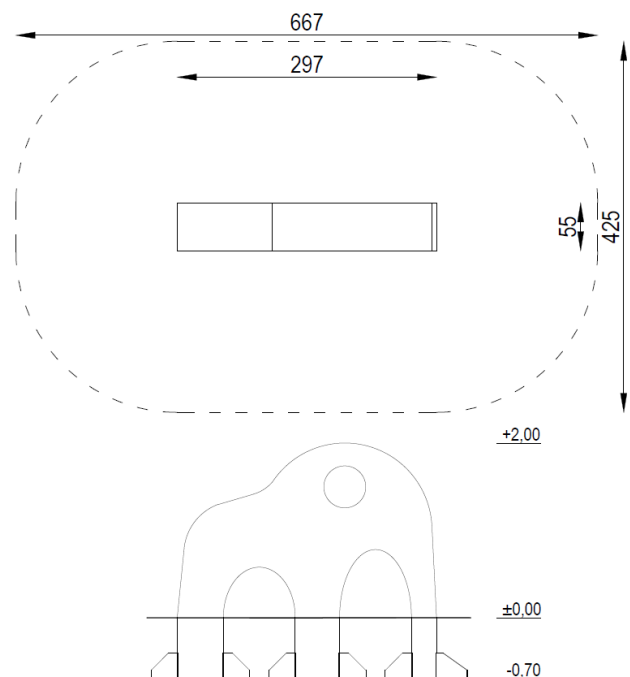
Not easily accessible device,
according to standard EN 1176-1:2017

Device dimensions:	2,97 x 0,55m
Device height:	1,56m
Minimum space:	6,67 x 4,25m
Falling area:	25,41m ²
Critical fall height:	1,92m
Foundations depth:	-0,60m

The device according to EN 1176-1:2012
Playground equipment and surfacing – Part 1:
General safety requirements and test methods

Safety surfaces:
- sand, gravel, bark, synthetic surface
- minimal thickness for loose particulate materials 200+100mm
- synthetic surface according to critical fall height

Projection and device view



COMPONENTS:

Climbing wall 1 set

MATERIALS:

Solid: polyester laminate – resin,
with a hardening system, fiberglass
Climbing handles: a mixture of epoxy resins and sand
Anchors: steel perimeter collar with anchor ribs
Steel elements: galvanized steel, powder coated
Foundations: prefabricated ballast



SATERNUS DISTRIBUTION Sp. z o.o. sp.k.
ul. Nowa 32
41-500 Chorzów, Poland

Certificate beholder:
Producer:
Distributor:

GRUPA SATERNUS Sp. z o.o. S. K. A. reserves all rights to protect copyright under the Act of February 4, 1994 on Copyright and Related Rights (Journal of Laws No. 28, pc 83), and in particular Art. 78 and 79 of this Law.

GRUPA SATERNUS Sp. z o.o. S. K. A.
Saternus Production Sp. z o.o. sp. k.
Saternus Distribution Sp. z o.o. sp. k.