



TECHNICAL DATA:

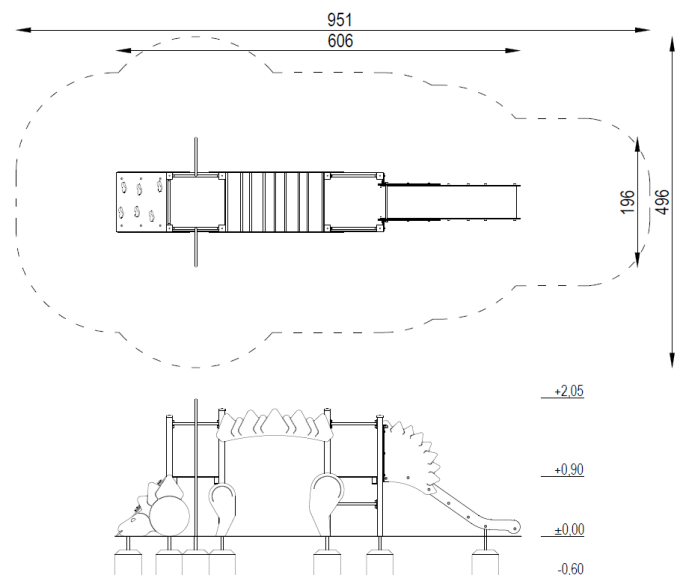
Not easily accessible device,
according to standard EN 1176-1:2017

Device dimensions:	6,06 x 1,96m
Device height:	2,05m
Minimum space:	9,51 x 4,96m
Falling area:	33,67m ²
Critical fall height:	1,60m
Foundations depth:	-0,60m

The device according to EN 1176-1:2017
Playground equipment and surfacing – Part 1:
General safety requirements and test methods.

Safety surfaces:
- sand, gravel, bark, synthetic surface
- minimal thickness for loose particulate materials 200+100mm
- synthetic surface according to critical fall height

Projection and device view



COMPONENTS:

Tower without roof, platform 0,90m	2 pcs
Climbing wall, height 0,90m	1 pc
Vertical ladder	2 pcs
Horizontal ladder	1 pc
Slide, height 0,90m	1 pc
Fireman's pole, height 0,90m	2 pcs
„Stegosaur” applications	1 set

MATERIALS:

Construction poles:	steel square profiles, galvanized, powder coated in gray
Flat decorative elements:	HDPE sheets
Platforms, gangways:	waterproof plywood, with anti-slip layer, based on steel structure
Steel elements:	galvanized steel, powder coated
Surface of slide:	stainless steel
Horizontal ladder:	HDPE side plates, stainless steel handles
Climbing walls:	waterproof plywood, climbing grips based on resins
Caps:	plastic
Foundations:	concrete min. C12/15 standard



GRUPA SATERNUS S. A.
ul. Nowa 32
41-500 Chorzów, Poland

Certificate beholder:
Producer:
Distributor:

GRUPA SATERNUS S. A. reserves all rights to protect copyright
Under the Act of February 4, 1994 on Copyright and Related Rights
(Journal of Laws No. 28, item 83), and in particular Art. 78 and 79 of this Law.

GRUPA SATERNUS S. A.
Saternus Production Sp. z o.o. sp. k.
Saternus Distribution Sp. z o.o. sp. k.