

**TECHNICAL DATA:**

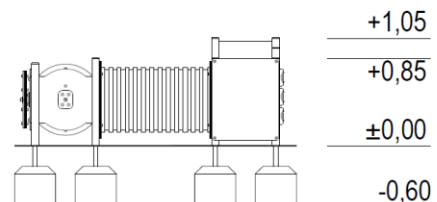
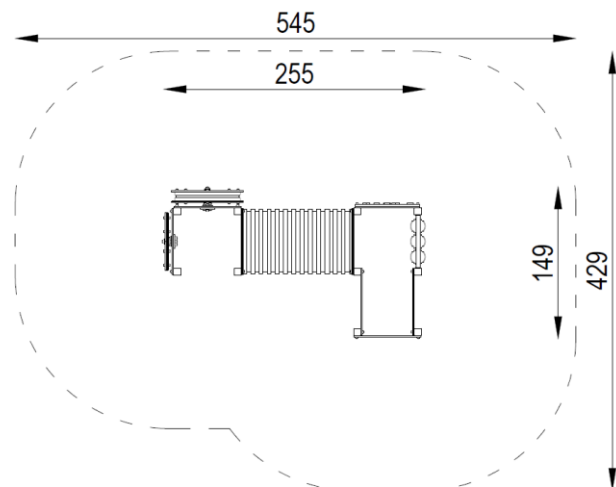
Easily accesible device,  
according to standard EN 1176-1 : 2017

- Device dimensions: 2,55 x 1,49m
- Device height: 1,05m
- Minimum space: 5,45 x 4,29m
- Falling area: 19,99m<sup>2</sup>
- Critical fall height: 0,60m
- Foundations depth: -0,60m

The device according to EN 1176-1 : 2017  
Playground equipment and surfacing – Part 1:  
General safety requirements and test methods

- Safety surfaces:
- paved, turf/topsoil, sand, gravel, bark, synthetic surface
  - minimal thickness for loose particulate materials 200+100mm
  - synthetic surface according to critical fall height

**Top view with falling area**



## COMPONENTS:

Tic Tac Toe game:	1 pc
Maze escape game	1 pc
Wind chest game	1 pc
Geometrical game	1 pc
Tunnel passage	1 pc
Drawing board	1 pc

## MATERIALS:

Construction poles:	glued laminated pine timber, varnish painted dark brown
Flat decorative elements:	HDPE sheets
Steel elements:	galvanized steel, powder coated
Tunnel:	PVC pipe fastened to HDPE boards
Drawing board:	shuttering plywood, coated with blackboard paint
Tic tac toe:	polypropylene rolls, painted in the screen printing technique
Game pannels:	maintenance free, composite element
Caps:	plastic
Foundations:	concrete min. C12/15 standard



SATERNUS DISTRIBUTION Sp. z o.o. sp.k.  
ul. Nowa 32  
41-500 Chorzów, Poland

Certificate beholder:  
Producer:  
Distributor:

GRUPA SATERNUS Sp. z o.o. S. K. A. reserves all rights to protect copyright under the Act of February 4, 1994 on Copyright and Related Rights (Journal of Laws No. 28, item 83), and in particular Art. 78 and 79 of this Law.

GRUPA SATERNUS Sp. z o.o. S. K. A.  
Saternus Production Sp. z o.o. sp. k.  
Saternus Distribution Sp. z o.o. sp. k.