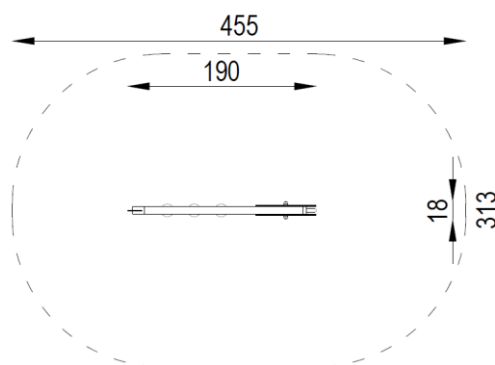


TECHNICAL DATA:

Not easily accessible device,
according to standard EN 1176-1:2017

Device dimensions:	1,90 x 0,18m
Device height:	1,95m
Minimum space:	4,55 x 3,13m
Falling area:	12,32m ²
Critical fall height:	0,60m
Foundations depth:	-0,80m

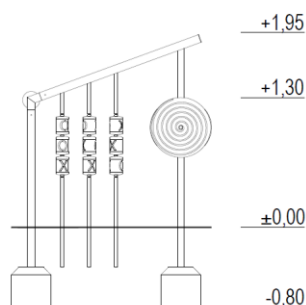
Top view with falling area



The device according to EN 1176-1:2017
Playground equipment and surfacing – Part 1:
General safety requirements and test methods

Safety surfaces:

- paved, turf/topsoil, sand, gravel, bark, synthetic surface
- minimal thickness for loose particulate materials 200+100mm
- synthetic surface according to critical fall height



COMPONENTS:

Supporting structure	1 set
Tic tac toe game	1 set
Rotary disc	1 pc

MATERIALS:

Construction poles:	steel profiles, galvanized, powder coated in gray
Vertical elements:	steel pipes, galvanized, powder coated in gray
Rotary disc:	HDPE plate
Tic tac toe:	polypropylene rolls
Caps:	plastic
Foundations:	concrete min. C12/15 standard



SATERNUS DISTRIBUTION Sp. z o.o. sp.k.
ul. Nowa 32
41-500 Chorzów, Poland

Certificate beholder:
Producer:
Distributor:

GRUPA SATERNUS Sp. z o.o. S. K. A. reserves all rights to protect copyright under the Act of February 4, 1994 on Copyright and Related Rights (Journal of Laws No. 28, item 83), and in particular Art. 78 and 79 of this Law.

GRUPA SATERNUS Sp. z o.o. S. K. A.
Saternus Production Sp. z o.o. sp. k.
Saternus Distribution Sp. z o.o. sp. k.