

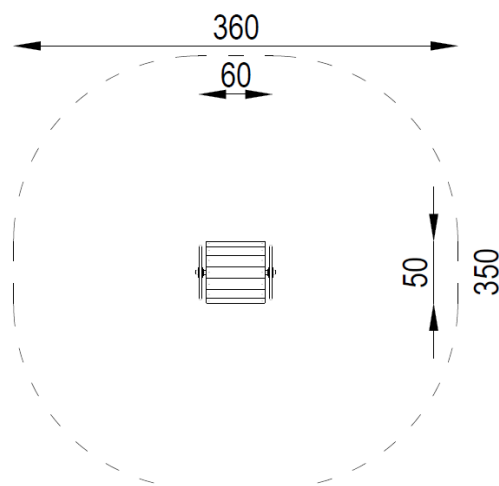


TECHNICAL DATA:

Not easily accessible device,
according to standard EN 1176-1:2017

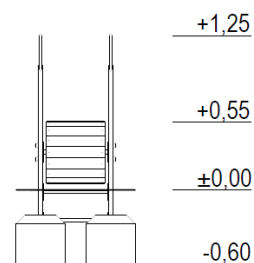
Device dimensions: 0,60 x 0,50m
 Device height: 1,25m
 Minimum space: 3,60 x 3,50m
 Falling area: 10,67m²
 Critical fall height: 0,55m
 Foundations depth: -0,60m

Projection and device view



The device according to EN 1176-1:2017
 Playground equipment and surfacing – Part 1:
 General safety requirements and test methods

Safety surfaces:
 - turf/topsoil, sand, gravel, bark, synthetic surface
 - min. thickness for loose particulate materials 200+100mm
 - synthetic surface according to critical fall height



MATERIALS:

Construction:	steel profiles, galvanized, powder coated
Treadmill	impregnated pinewood boards, with machined anti-skid surface
Steel elements:	galvanized steel, powder coated
Caps:	plastic
Foundations:	concrete min. C12/15 standard



GRUPA SATERNUS S.A.
ul. Nowa 32
41-500 Chorzów, Poland

Certificate beholder:
Producer:
Distributor:

GRUPA SATERNUS S.A. reserves all rights to protect copyright
under the Act of February 4, 1994 on Copyright and Related Rights
(Journal of Laws No. 28, pc 83), and in particular Art. 78 and 79 of this Law.

GRUPA SATERNUS S.A.
Saternus Production Sp. z o.o. sp. k.
Saternus Distribution Sp. z o.o. sp. k.