

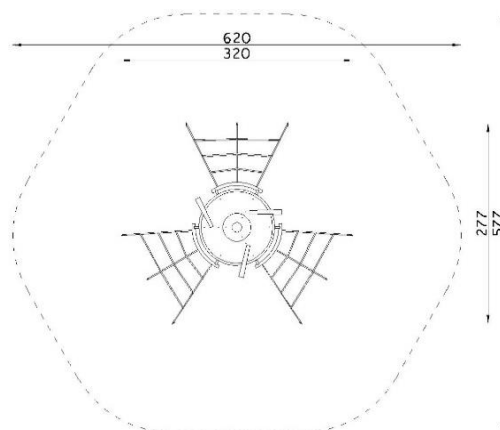


TECHNICAL DATA:

Not easy accessible device,
according to standard EN 1176-1:2017

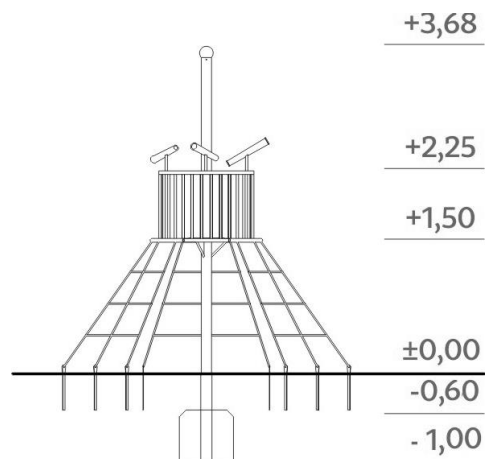
Device dimensions: 3,20 x 2,77m
 Device height: 3,63m
 Falling area: 6,20 x 5,77m
 Minimum space: 28,07m²
 Critical fall height: 1,50m
 Foundations depth: -0,60/-1,00m

Top view with falling area



The device according to EN 1176-1:2012
 Playground equipment and surfacing – Part 1:
 General safety requirements and test methods

Safety surfaces:
 - sand, gravel, bark, synthetic surface
 - minimal thickness for loose particulate materials 200+100mm
 - synthetic surface according to critical fall height



MATERIALS

Construction pole:	steel profile, galvanized
Rope net:	polypropylene braided with a steel, interconnected by plastic fasteners
Steel elements:	galvanized steel, powder coated
Caps:	plastic
Foundations:	concrete min. C12/15 standard



GRUPA SATERNUS S.A.
ul. Nowa 32
41-500 Chorzów, Poland

Certificate beholder:
Producer:
Distributor:

GRUPA SATERNUS S.A. reserves all rights to protect copyright
Under the Act of February 4, 1994 on Copyright and Related Rights
(Journal of Laws No. 28, pc 83), and in particular Art. 78 and 79 of this Law.

GRUPA SATERNUS S.A.
Saternus Production Sp. z o.o. sp. k.
Saternus Distribution Sp. z o.o. sp. k.