

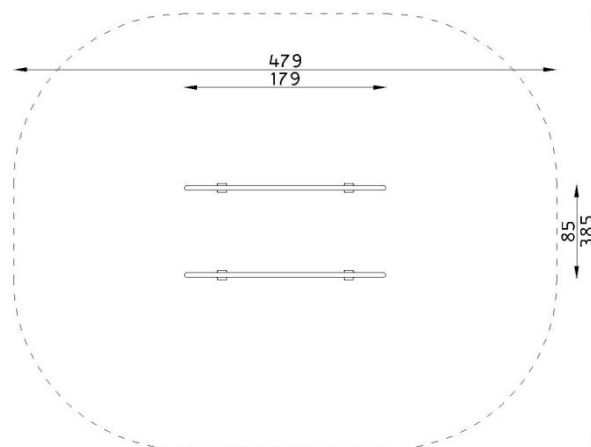


### TECHNICAL DATA:

Not easily accessible device,  
according to standard EN 1176-1:2017

Device dimensions:	1,79 x 0,85m
Device height:	1,15m
Minimum space:	4,79 x 3,85m
Falling area:	16,52m <sup>2</sup>
Critical fall height:	1,15m
Foundations depth:	-0,60m

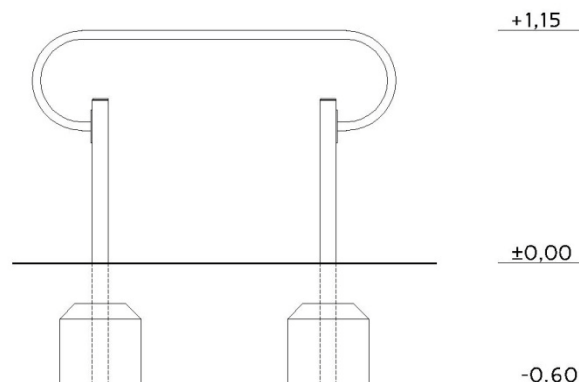
### Top view with falling area



The device according to EN 1176-1:2017  
Playground equipment and surfacing – Part 1:  
General safety requirements and test methods

### Safety surfaces:

- turf/topsoil, sand, gravel, bark, synthetic surface
- minimal thickness for loose particulate materials 200+100mm
- synthetic surface according to critical fall height



Parallel bars

2 pcs

Construction poles:

steel square profiles, galvanized,  
powder coated in gray

Steel elements:

galvanized steel, powder coated

Caps:

plastic

Foundations:

concrete min. C12/15 standard



SATERNUS DISTRIBUTION Sp. z o.o. sp.k.  
ul. Nowa 32  
41-500 Chorzów, Poland

Certificate beholder:  
Producer:  
Distributor:

GRUPA SATERNUS Sp. z o.o. S. K. A. reserves all rights to protect copyright under the Act of February 4, 1994 on Copyright and Related Rights (Journal of Laws No. 28, item 83), and in particular Art. 78 and 79 of this Law.

GRUPA SATERNUS Sp. z o.o. S. K. A.  
Saternus Production Sp. z o.o. sp. k.  
Saternus Distribution Sp. z o.o. sp. k.