

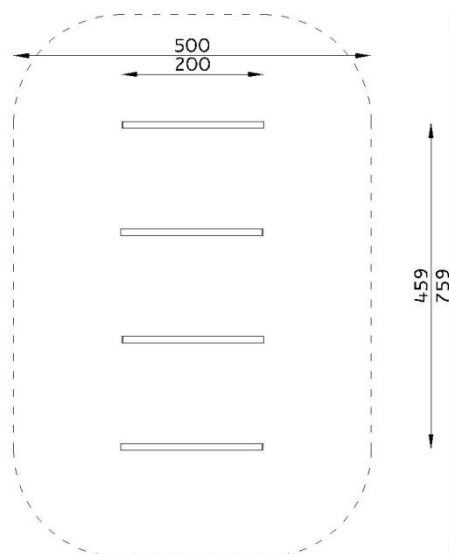


TECHNICAL DATA:

Easily accessible device,
according to standard EN 1176-1:2017

Top view with falling area

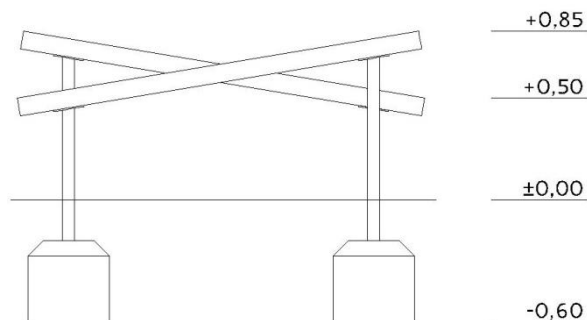
Device dimensions:	2,00 x 4,59m
Device height:	0,85m
Minimum space:	5,00 x 7,59m
Falling area:	36,04m ²
Critical fall height:	0,85m
Foundations depth:	-0,60m



The device according to EN 1176-1:2017
Playground equipment and surfacing – Part 1:
General safety requirements and test methods

Safety surfaces:

- turf/topsoil, sand, gravel, bark, synthetic surface
- minimal thickness for loose particulate materials 200+100mm
- synthetic surface according to critical fall height



COMPONENTS:

Hurdles 4 pcs

MATERIALS:

Supporting element: glued laminated timber, impregnated
Anchors: galvanized steel
Steel elements: galvanized steel, powder coated
Caps: plastic
Foundations: concrete min. C12/15 standard



SATERNUS DISTRIBUTION Sp. z o.o. sp.k.
ul. Nowa 32
41-500 Chorzów, Poland

Certificate beholder:
Producer:
Distributor:

GRUPA SATERNUS Sp. z o.o. S. K. A. reserves all rights to protect copyright under the Act of February 4, 1994 on Copyright and Related Rights (Journal of Laws No. 28, item 83), and in particular Art. 78 and 79 of this Law.

GRUPA SATERNUS Sp. z o.o. S. K. A.
Saternus Production Sp. z o.o. sp. k.
Saternus Distribution Sp. z o.o. sp. k.