

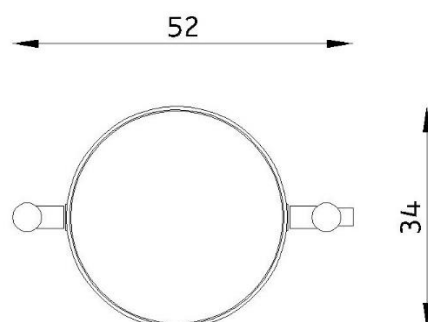
## 40014 STEEL LITTER BIN BASIC



### TECHNICAL DATA:

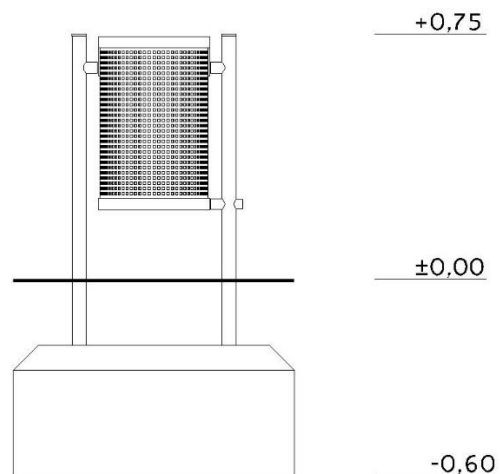
Device dimensions: 0,52 x 0,34m  
Device height: 0,75 m  
Foundations depth: -0,60 m

#### Top and front view



The device according to EN 1176-1:2017  
Playground equipment and surfacing – Part 1:  
General safety requirements and test methods

Safety surfaces:  
- paved, turf/topsoil, sand, gravel, bark, synthetic surface



## MATERIALS:

Construction poles: steel profiles, galvanized, powder coated  
Cover: perforated galvanized steel sheet  
Foundations: concrete min. C12/15 standard



SATERNUS DISTRIBUTION Sp. z o.o. sp.k.  
ul. Nowa 32  
41-500 Chorzów, Poland

Certificate beholder:  
Producer:  
Distributor:

GRUPA SATERNUS Sp. z o.o. S. K. A. reserves all rights to protect copyright under the Act of February 4, 1994 on Copyright and Related Rights (Journal of Laws No. 28, pc 83), and in particular Art. 78 and 79 of this Law.

GRUPA SATERNUS Sp. z o.o. S. K. A.  
Saternus Production Sp. z o.o. sp. k.  
Saternus Distribution Sp. z o.o. sp. k.