



TECHNICAL DATA:

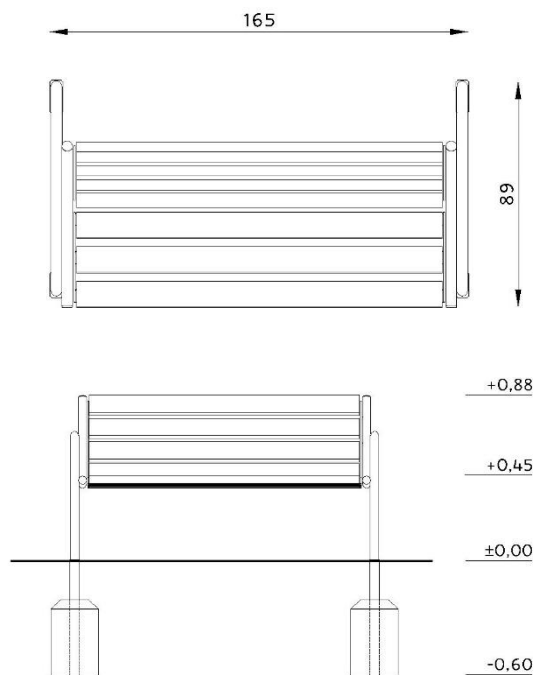
According to standard EN 1176-1:2017

Device dimensions: 1,65 x 0,89m
 Device height: 0,88m
 Foundations depth: -0,60m

The device according to EN 1176-1:2017
 Playground equipment and surfacing – Part 1:
 General safety requirements and test methods

Safety surfaces:
 - paved, turf/topsoil, sand, gravel, bark, synthetic surface
 - minimal thickness for loose particulate materials 200+100mm
 - synthetic surface according to critical fall height

Top and front view



MATERIALS:

Construction poles:	steel profiles, galvanized, powder coated
Anchors:	galvanized steel
Seat, back support:	waterproof plywood boards, varnish painted in dark brown
Caps:	plastic
Foundations:	concrete min. C12/15 standard



GRUPA SATERNUS S.A.
ul. Nowa 32
41-500 Chorzów, Poland

Certificate beholder:
Producer:
Distributor:

GRUPA SATERNUS S.A. reserves all rights to protect copyright under the Act of February 4, 1994 on Copyright and Related Rights (Journal of Laws No. 28, pc 83), and in particular Art. 78 and 79 of this Law.

GRUPA SATERNUS S.A.
Saternus Production Sp. z o.o. sp. k.
Saternus Distribution Sp. z o.o. sp. k.