

TECHNICAL DATA:

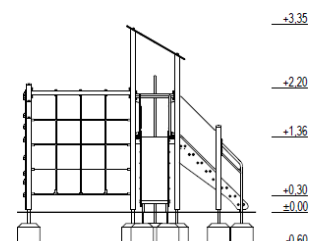
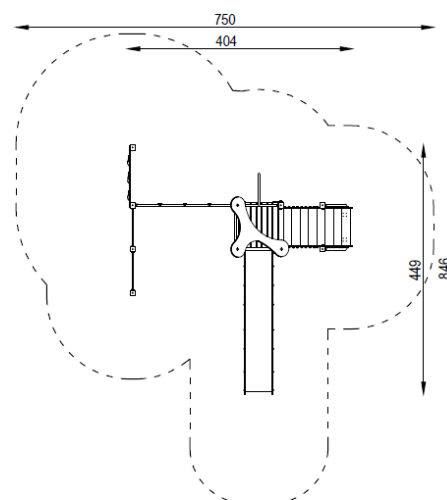
Device with easily and not easily accessible elements,
according to standard EN 1176-1:2017

Device dimensions:	4,04 x 4,49m
Device height:	3,35m
Minimum space:	7,50 x 8,46m
Falling area:	40,86m ²
Critical fall height:	2,20m
Foundations depth:	-0,60m

The device according to EN 1176-1:2017
Playground equipment and surfacing – Part 1:
General safety requirements and test methods

Safety surfaces:
- sand, gravel, bark, synthetic surface
- minimal thickness for loose particulate materials 300+100mm
- synthetic surface according to critical fall height

Projection and device view



COMPONENTS:

Tower with roof, platform height 1,36m	1 pc
Stairs, height 1,36m	1 pc
Slide, height 1,36m	1 pc
Fireman's pole, height 1,36m	1 pc
Vertical rope net	1 pc
Climbing wall	1 pc
Horizontal bar	2 pcs

MATERIALS:

Construction poles:	glued laminated pine timber, varnish painted dark brown
Anchors:	galvanized steel
Flat decorative elements:	HDPE sheets
Platforms, gangways:	impregnated pinewood boards, with machined anti-skid surface
Steel elements:	galvanized steel, powder coated
Surface of slide:	stainless steel
Ropes:	polypropylene braided with a steel, interconnected by plastic fasteners
Climbing walls:	waterproof plywood, climbing grips based on resins
Caps:	plastic
Foundations:	concrete min. C12/15 standard



GRUPA SATERNUS S.A.
ul. Nowa 32
41-500 Chorzów, Poland

Certificate beholder:
Producer:
Distributor:

GRUPA SATERNUS S.A. reserves all rights to protect copyright
Under the Act of February 4, 1994 on Copyright and Related Rights
(Journal of Laws No. 28, pc 83), and in particular Art. 78 and 79 of this Law.

GRUPA SATERNUS S.A.
Saternus Production Sp. z o.o. sp. k.
Saternus Distribution Sp. z o.o. sp. k.