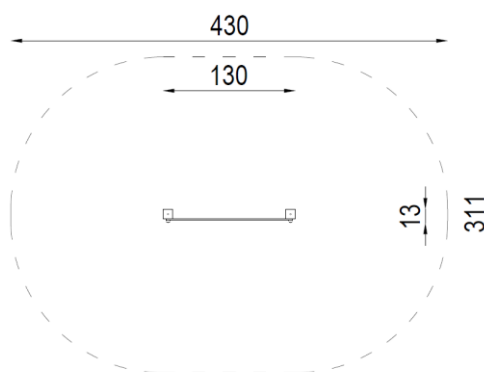


**TECHNICAL DATA:**

Easily accessible device,  
according to standard EN 1176-1:2017

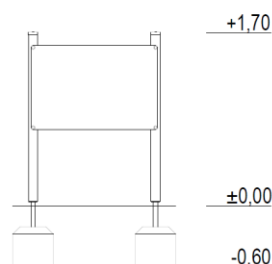
- Device dimensions: 1,30 x 0,12m
- Device height: 1,70m
- Minimum space: 4,30 x 3,11m
- Falling area: 11,40m<sup>2</sup>
- Critical fall height: 0,60m
- Foundations depth: -0,60m

**Projection and device view**



The device according to EN 1176-1:2017  
Playground equipment and surfacing – Part 1:  
General safety requirements and test methods

- Safety surfaces:
- paved, turf/topsoil, sand, gravel, bark, synthetic surface
  - minimal thickness for loose particulate materials 200+100mm
  - synthetic surface according to critical fall height



## COMPONENTS:

Supporting structure 1 set  
Drawing board 1 pc

## MATERIALS:

Construction poles: glued laminated pine timber,  
varnish painted dark brown  
Anchors: galvanized steel  
Drawing board: waterproof plywood,  
painted with blackboard paint  
Caps: plastic  
Foundations: concrete min. C12/15 standard



GRUPA SATERNUS S.A.  
ul. Nowa 32  
41-500 Chorzów, Poland

Certificate beholder:  
Producer:  
Distributor:

GRUPA SATERNUS S.A. reserves all rights to protect copyright  
Under the Act of February 4, 1994 on Copyright and Related Rights  
(Journal of Laws No. 28, pc 83), and in particular Art. 78 and 79 of this Law.

GRUPA SATERNUS S.A.  
Saternus Production Sp. z o.o. sp. k.  
Saternus Distribution Sp. z o.o. sp. k.