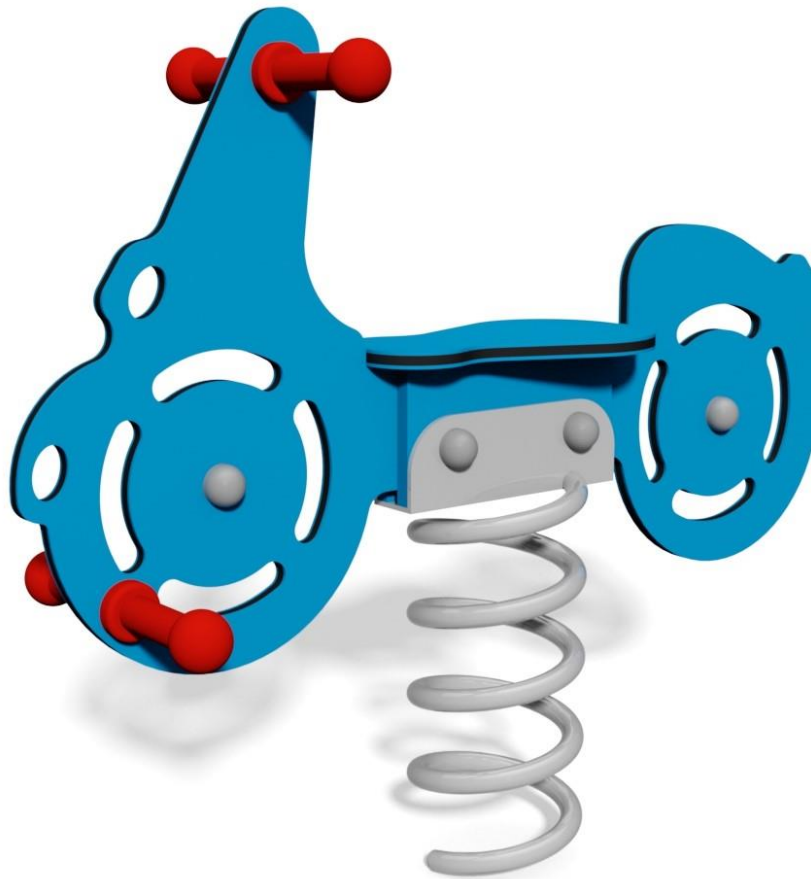


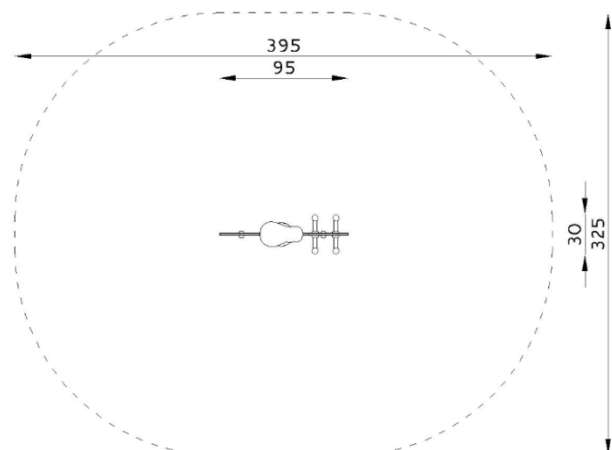
# 11000 SCOOTER SPRING RIDER



## TECHNICAL DATA:

<b>Device dimensions:</b>	0,30m x 0,95m
<b>Device height:</b>	0,80m
<b>Minimum space:</b>	3,95 x 3,25m
<b>Critical fall height:</b>	0,60m
<b>Falling area:</b>	10,87m <sup>2</sup>
<b>Depth of foundations:</b>	-0,60m

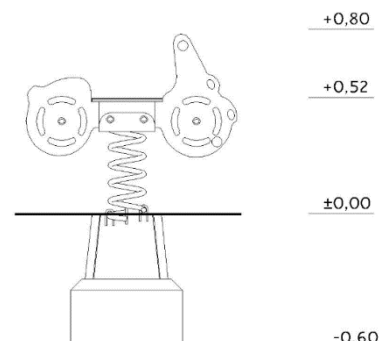
Top view with falling area:



The device according to EN 1176-1:2012  
 Playground equipment and surfacing – Part 1:  
 General safety requirements and test methods.

### Safety surfaces:

- turf/topsoil, sand, gravel, bark, synthetic surface
- minimal thickness for loose particulate materials 200+100mm
- synthetic surface according to critical fall height



## MATERIALS:

<b>Decorative elements:</b>	HDPE sheet
<b>Handles, leg supports:</b>	plastic
<b>Steel elements:</b>	galvanized steel, powder coated
<b>Spring:</b>	spring steel, galvanized and powder coated in gray
<b>Caps:</b>	plastic
<b>Foundation base:</b>	steel structure
<b>Foundations:</b>	concrete class min. C12/15



GRUPA SATERNUS S.A.  
ul. Nowa 32  
41-500 Chorzów, Poland

Certificate beholder:  
Producer:  
Distributor:

GRUPA SATERNUS S.A. reserves all rights to protect copyright  
Under the Act of February 4, 1994 on Copyright and Related Rights  
(Journal of Laws No. 28, pe 83), and in particular Art. 78 and 79 of this Law.

GRUPA SATERNUS S.A.  
Saternus Production Sp. z o.o. sp. k.  
Saternus Distribution Sp. z o.o. sp. k.