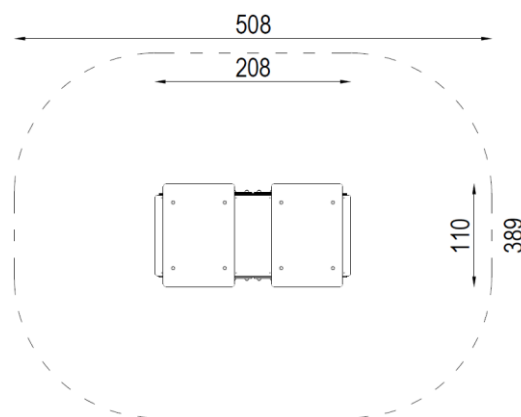


TECHNICAL DATA:

Easily accessible device,
according to standard EN 1176-1 : 2017

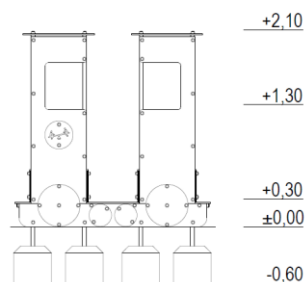
Device dimensions: 2,08 x 1,10m
 Device height: 2,10m
 Minimum space: 5,08 x 3,89m
 Falling area: 17,83m²
 Critical fall height: 0,60m
 Foundations depth: -0,60m

Top view with falling area



The device according to EN 1176-1 : 2017
 Playground equipment and surfacing – Part 1:
 General safety requirements and test methods

Safety surfaces:
 - turf/topsoil, sand, gravel, bark, synthetic surface
 - minimal thickness for loose particulate materials 200+100mm
 - synthetic surface according to critical fall height



MATERIALS:

Construction poles:	steel square profiles, galvanized, powder coated in gray
Steel elements:	galvanized steel, powder coated
Flat decorative elements:	HDPE sheets
Platform:	waterproof plywood
Caps:	plastic
Foundations:	concrete min. C12/15 standard



SATERNUS DISTRIBUTION Sp. z o.o. sp.k.
ul. Nowa 32
41-500 Chorzów, Poland

Certificate beholder:
Producer:
Distributor:

GRUPA SATERNUS Sp. z o.o. S. K. A. reserves all rights to protect copyright under the Act of February 4, 1994 on Copyright and Related Rights (Journal of Laws No. 28, item 83), and in particular Art. 78 and 79 of this Law.

GRUPA SATERNUS Sp. z o.o. S. K. A.
Saternus Production Sp. z o.o. sp. k.
Saternus Distribution Sp. z o.o. sp. k.