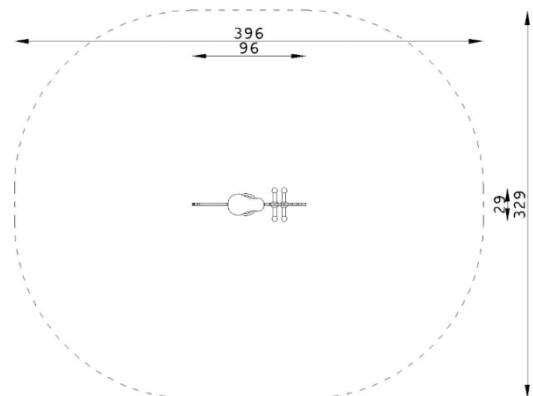


TECHNICAL DATA:

Device dimensions:	0,29m x 0,96m
Device height:	0,80m
Minimum space:	3,96 x 3,29 m
Critical fall height:	0,60m
Falling area:	11,94m ²
Depth of foundations:	-0,60m

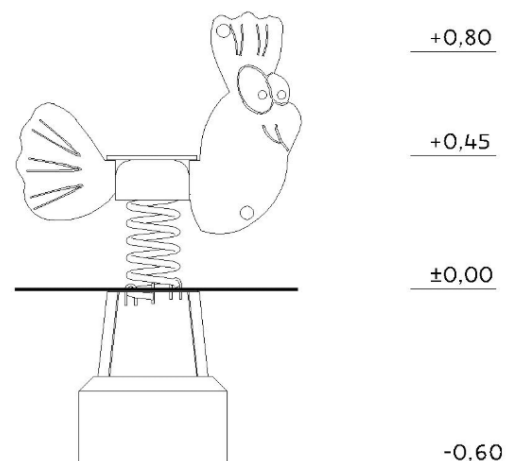
Top view with falling area



The device according to EN 1176-1:2012
 Playground equipment and surfacing – Part 1:
 General safety requirements and test methods.

Safety surfaces:

- turf/topsoil, sand, gravel, bark, synthetic surface
- minimal thickness for loose particulate materials 200+100mm
- synthetic surface according to critical fall height



MATERIALS:

Decorative elements:	HDPE sheet
Handles, leg supports:	plastic
Steel elements:	galvanized steel, powder coated
Spring:	spring steel, galvanized and powder coated in gray
Caps:	plastic
Foundation base:	steel structure
Foundations:	concrete class min. C12/15



GRUPA SATERNUS S.A.
ul. Nowa 32
41-500 Chorzów, Poland

Certificate beholder:
Producer:
Distributor:

GRUPA SATERNUS S.A. reserves all rights to protect copyright
Under the Act of February 4, 1994 on Copyright and Related Rights
(Journal of Laws No. 28, pc 83), and in particular Art. 78 and 79 of this Law.

GRUPA SATERNUS S.A.
Saternus Production Sp. z o.o. sp. k.
Saternus Distribution Sp. z o.o. sp. k.