

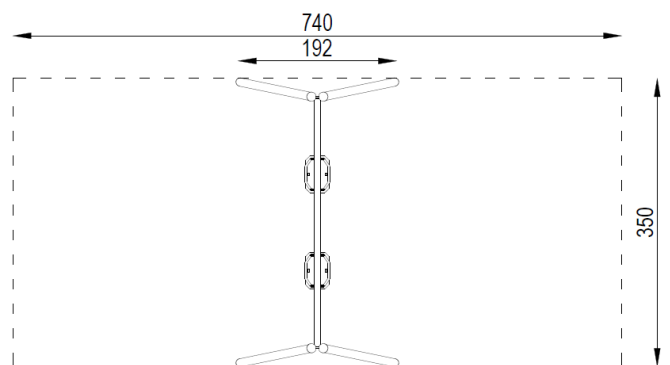


TECHNICAL DATA:

Easily accessible device,
according to standard EN 1176-1 : 2017

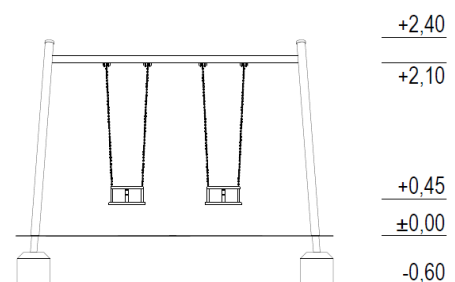
Device dimensions: 3,50 x 1,92m
 Device height: 2,40m
 Minimum space: 3,50 x 7,40m
 Falling area: 25,90m²
 Critical fall height: 1,25m
 Foundations depth: -0,60m

Projection and device view



The device according to EN 1176-1 : 2017
 Playground equipment and surfacing – Part 1:
 General safety requirements and test methods.

Safety surfaces:
 - sand, gravel, bark, synthetic surface
 - minimal thickness for loose particulate materials 200+100mm
 - synthetic surface according to critical fall height



COMPONENTS:

Supporting structure 1 set
Basket seat 2 pcs

MATERIALS:

Construction poles: steel pipes, galvanized, powder coated in gray
Steel elements: galvanized steel, powder coated
Basket seat: made of steel construction, coated with rubber
Chain: stainless steel, calibrated
Caps: plastic
Foundations: concrete min. C12/15 standard



GRUPA SATERNUS S. A.
ul. Nowa 32
41-500 Chorzów, Poland

Certificate beholder:
Producer:
Distributor:

GRUPA SATERNUS S. A. reserves all rights to protect copyright
Under the Act of February 4, 1994 on Copyright and Related Rights
(Journal of Laws No. 28, item 83), and in particular Art. 78 and 79 of this Law.

GRUPA SATERNUS S. A.
Saternus Production Sp. z o.o. sp. k.
Saternus Distribution Sp. z o.o. sp. k.