

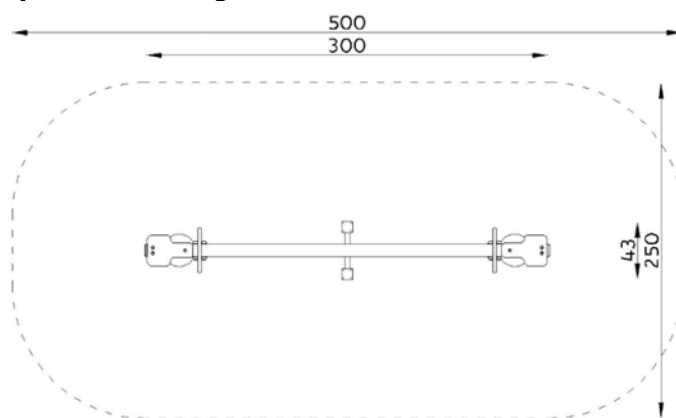
# 10018 DRAGONFLY SEESAW



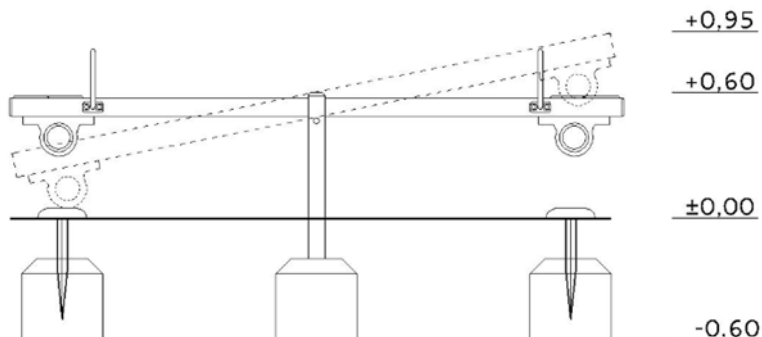
## TECHNICAL DATA:

<b>Device dimensions:</b>	0,43m x 3,00m
<b>Device height:</b>	~0,95m
<b>Minimum space:</b>	2,50 x 5,00m
<b>Falling area:</b>	11,64 m <sup>2</sup>
<b>Critical fall height:</b>	0,91
<b>Depth of foundations :</b>	-0,60m

Top view with falling area



**The device according to EN 1176-1:2017**  
 Playground equipment and surfacing – Part 1:  
 General safety requirements and test methods.



**Safety surfaces:**

- turf/topsoil, sand, gravel, bark, synthetic surface
- minimal thickness for loose particulate materials 200+100mm
- synthetic surface according to critical fall height

## MATERIALS:

<b>Construction poles:</b>	steel square profiles, galvanized
<b>Beam of swing:</b>	pine wood glued rounded at the edges, coated with acrylic gaze
<b>Steel elements:</b>	galvanized steel, powder coated
<b>Seats:</b>	HDPE sheet
<b>Bumper:</b>	made of rubber granulate
<b>Covers:</b>	plastic
<b>Foundations:</b>	concrete class min. C12/15



SATERNUS DISTRIBUTION Sp. z o.o. sp.k.  
ul. Nowa 32  
41-500 Chorzów, Poland

Certificate beholder:  
Producer:  
Distributor:

GRUPA SATERNUS Sp. z o.o. S. K. A. reserves all rights to protect copyright under the Act of February 4, 1994 on Copyright and Related Rights (Journal of Laws No. 28, item 83), and in particular Art. 78 and 79 of this Law.

GRUPA SATERNUS Sp. z o.o. S. K. A.  
Saternus Production Sp. z o.o. sp. k.  
Saternus Distribution Sp. z o.o. sp. k.