

10016-240 HEXAGONAL BIG SANDBOX 2,4m



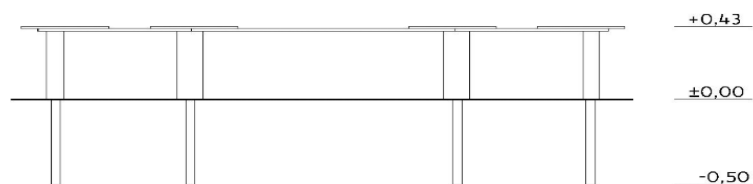
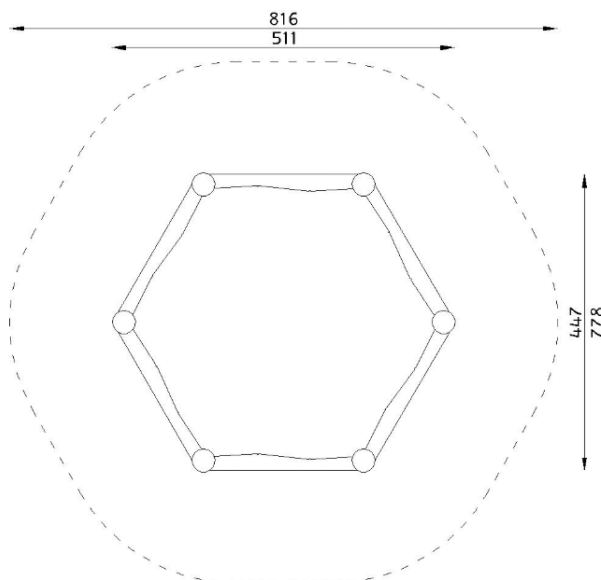
TECHNICAL DATA:

Device dimensions:	4,47m x 5,11m
Device height:	~0,43m
Minimum space:	7,78m x 8,16m
Falling area:	50,17m ²
Critical fall height:	0,43m
Foundations depth:	-0,50m

The device according to EN 1176-1:2012
 Playground equipment and surfacing – Part 1:
 General safety requirements and test methods

A cushioning surface is not required.
 The surface under the whole device must be homogeneous.

Top view with falling area



MATERIALS:

Sandbox walls, decorative applications:	HDPE sheets
Sandbox seats:	waterproof plywood
Construction poles:	galvanized steel, powder coated gray
Caps:	plastic



SATERNUS DISTRIBUTION Sp. z o.o. sp.k.
ul. Nowa 32
41-500 Chorzów, Poland

Certificate beholder:
Producer:
Distributor:

GRUPA SATERNUS Sp. z o.o. S. K. A. reserves all rights to protect copyright under the Act of February 4, 1994 on Copyright and Related Rights (Journal of Laws No. 28, item 83), and in particular Art. 78 and 79 of this Law.

GRUPA SATERNUS Sp. z o.o. S. K. A.
Saternus Production Sp. z o.o. sp. k.
Saternus Distribution Sp. z o.o. sp. k