

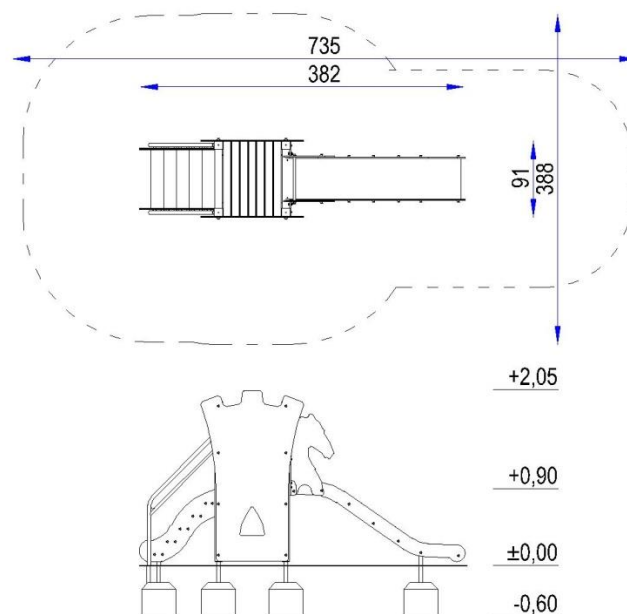


### TECHNICAL DATA:

Easily accessible device,  
according to standard EN 1176-1:2017

Device dimensions:	0,91m x 3,82m
Device height:	~2,05m
Minimum space:	3,88m x 7,35m
Falling area:	21,99 m <sup>2</sup>
Critical fall height:	-0,60m
Foundations depth:	0,90m

### Top view with fallingarea



The device according to EN 1176-1:2017  
Playground equipment and surfacing – Part 1:  
General safety requirements and test methods.

### Safety surfaces:

- turf/topsoil, sand, gravel, bark, synthetic surface
- minimal thickness for loose particulate materials 200+100mm
- synthetic surface according to critical fall height

## COMPONENTS:

Tower without roof, platform 0,90 m 1 pc  
Entry stairs 0,90m 1 pc  
Slide 0,90 m 1 pc

## MATERIALS:

Construction poles: steel square profiles, galvanized, powder coated in gray  
Flat decorative elements: HDPE sheets  
Platforms, gangway: waterproof plywood, with non-slip layer, based on steel structure  
Steel elements: galvanized steel, powder coated  
Surface of the slide: stainless steel  
Caps: plastic  
Foundations: concrete min. C12/15 standard



SATERNUS DISTRIBUTION Sp. z o.o. sp.k.  
ul. Nowa 32  
41-500 Chorzów

Właściciel certyfikatu:  
Producent:  
Dystrybutor:

SATERNUS DISTRIBUTION Sp. z o.o. sp. k. zastrzega sobie wszelkie prawa do ochrony praw autorskich na podstawie Ustawy z dnia 04.02.1994 r. o prawie autorskim i prawach pokrewnych ( DZ. U. Nr 28 poz. 83) a zwłaszcza art. 78 i 79 tejże ustawy.

GRUPA SATERNUS Sp. z o.o. S. K. A. (następca prawny Place Zabaw Saternus Sp. z o.o.)  
Saternus Production Sp. z o.o. sp. k.  
Saternus Distribution Sp. z o.o. sp. k.