



**TECHNICAL DATA:**

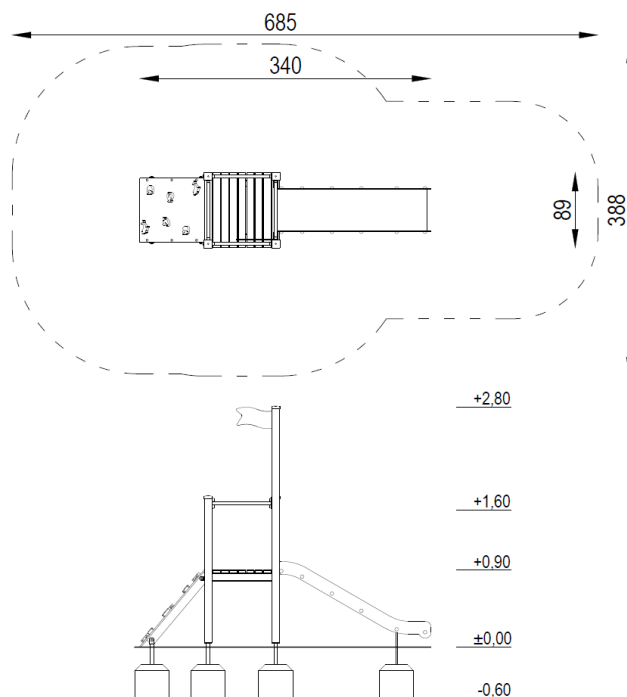
Not easily accessible device,  
according to standard EN 1176-1:2017

- Device dimensions: 3,40 x 0,89m
- Device height: 2,80m
- Minimum space: 6,85 x 3,88m
- Falling area: 21,28m<sup>2</sup>
- Critical fall height: 0,90m
- Foundations depth: -0,60m

The device according to EN 1176-1:2012  
Playground equipment and surfacing – Part 1:  
General safety requirements and test methods.

- Safety surfaces:
- turf/topsoil, sand, gravel, bark, synthetic surface
  - minimal thickness for loose particulate materials 200+100mm
  - synthetic surface according to critical fall height

**Projection and device view**



## COMPONENTS:

Tower without roof, platform 0,90m	1 pc
Climbing wall 0,90m	1 pc
Slide. 0,90m	1 pc
Flagpole	1 pc

## MATERIALS:

Construction poles:	glued laminated pine timber, rounded at the edges, varnish painted dark brown
Anchors:	galvanized steel
Flat decorative elements:	HDPE sheets
Platforms:	impregnated pinewood boards, with machined anti-skid surface
Steel elements:	galvanized steel, powder coated
Surface of slope slide:	stainless steel
Climbing walls:	waterproof shuttering plywood, climbing grips based on resins
Caps:	plastic
Foundations:	concrete min. C12/15 standard



SATERNUS DISTRIBUTION Sp. z o.o. sp.k.  
ul. Nowa 32  
41-500 Chorzów, Poland

Certificate beholder:  
Producer:  
Distributor:

GRUPA SATERNUS Sp. z o.o. S. K. A. reserves all rights to protect copyright under the Act of February 4, 1994 on Copyright and Related Rights (Journal of Laws No. 28, pc 83), and in particular Art. 78 and 79 of this Law.

GRUPA SATERNUS Sp. z o.o. S. K. A.  
Saternus Production Sp. z o.o. sp. k.  
Saternus Distribution Sp. z o.o. sp. k.