



TECHNICAL DATA:

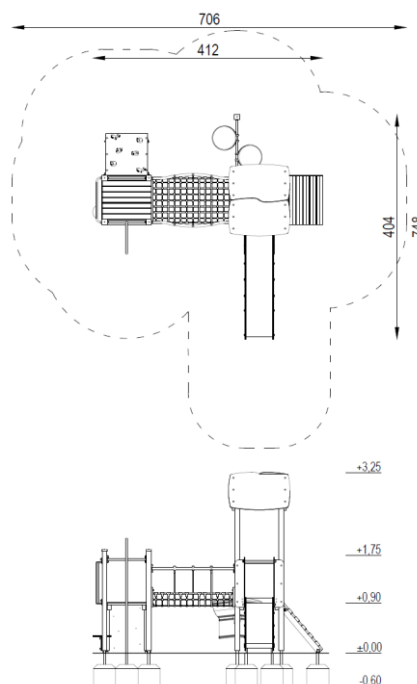
Not easily accessible device,
according to standard EN 1176-1:2017

Device dimensions:	4,04 x 4,12m
Device height:	3,25m
Minimum space:	7,48 x 7,06m
Falling area:	36,38m ²
Critical fall height:	0,90m
Foundations depth:	-0,60m

The device according to EN 1176-1:2017
Playground equipment and surfacing – Part 1:
General safety requirements and test methods

- Safety surfaces:
- turf/topsoil, sand, gravel, bark, synthetic surface
 - minimal thickness for loose particulate materials 200+100mm
 - synthetic surface according to critical fall height

Top view with falling area



COMPONENTS:

Tower with roof, platform 90cm	1 pc
Tower without roof, platform 90cm	1 pc
Balcony	1 pc
Climbing wall 90cm	1 pc
Entry gangplank 90cm	1 pc
Fireman's pole 90cm	1 pc
Rope bridge 150 cm	1 pc
Slide 90cm	1 pc
Slit drum	1 pc
Small toyshop	1 pc

MATERIALS:

Construction poles:	glued laminated pine timber, varnish painted dark brown
Anchors:	galvanized steel
Flat decorative elements:	HDPE sheets
Platforms, gangways:	impregnated pinewood boards, with machined anti-skid surface
Steel elements:	galvanized steel, powder coated
Surface of slide:	stainless steel
Ropes:	polypropylene braided with a steel, interconnected by plastic fasteners
Climbing walls:	waterproof plywood, climbing grips based on resins
Drums:	rotomolded polypropylene
Caps:	plastic
Foundations:	concrete min. C12/15 standard



GRUPA SATERNUS S. A.
ul. Nowa 32
41-500 Chorzów, Poland

Certificate beholder:
Producer:
Distributor:

GRUPA SATERNUS S. A. reserves all rights to protect copyright
Under the Act of February 4, 1994 on Copyright and Related Rights
(Journal of Laws No. 28, item 83), and in particular Art. 78 and 79 of this Law.

GRUPA SATERNUS S. A.
Saternus Production Sp. z o.o. sp. k.
Saternus Distribution Sp. z o.o. sp. k.