

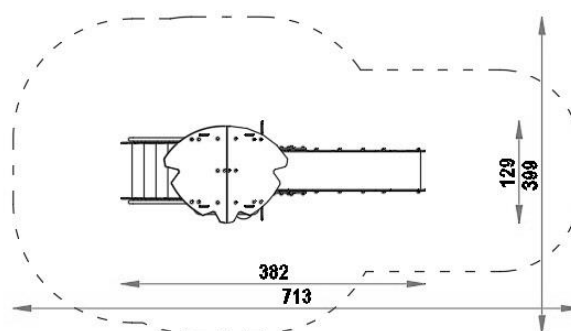


TECHNICAL DATA:

Easily accessible device,
according to standard EN 1176-1:2017

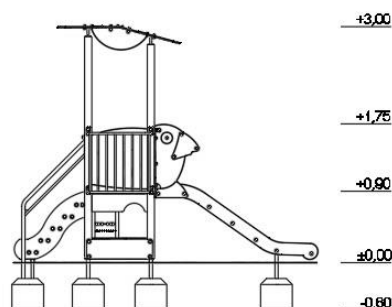
Device dimensions: 3,82 x 1,29m
 Device height: 3,00m
 Minimum space: 7,13 x 3,99m
 Falling area: 22,28m²
 Critical fall height: 0,90m
 Foundations depth: -0,60m

Top view with falling area



The device according to EN 1176-1:2012
 Playground equipment and surfacing – Part 1:
 General safety requirements and test methods.

Safety surfaces:
 - turf/topsoil, sand, gravel, bark, synthetic surface
 - minimal thickness for loose particulate materials 200+100mm
 - synthetic surface according to critical fall height



COMPONENTS:

Tower with roof, platform 0,90m	1 pc
Entry stairs 0,90m	1 pc
Slide 0,90m	1 pc
Balcony	1 pc
Little shop	1 pc

MATERIALS:

Construction poles:	glued laminated pine timber, varnish painted dark brown
Anchors:	galvanized steel
Flat decorative elements:	HDPE sheets
Platforms, gangway:	impregnated pinewood boards, with machined anti-skid surface
Steel elements:	galvanized steel, powder coated
Surface of the slide:	stainless steel
Caps:	plastic
Foundations:	concrete min. C12/15 standard



SATERNUS DISTRIBUTION Sp. z o.o. sp.k.
ul. Nowa 32
41-500 Chorzów, Poland

Certificate beholder:
Producer:
Distributor:

GRUPA SATERNUS Sp. z o.o. S. K. A. reserves all rights to protect copyright under the Act of February 4, 1994 on Copyright and Related Rights (Journal of Laws No. 28, item 83), and in particular Art. 78 and 79 of this Law.

GRUPA SATERNUS Sp. z o.o. S. K. A.
Saternus Production Sp. z o.o. sp. k.
Saternus Distribution Sp. z o.o. sp. k.