

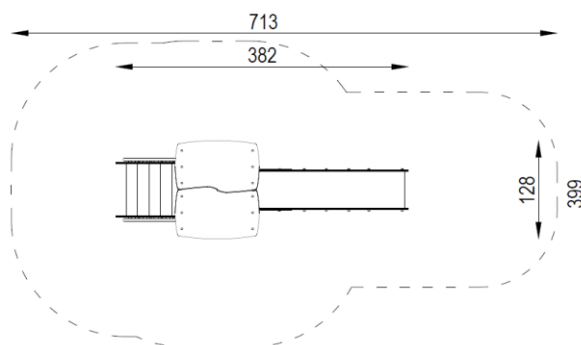


TECHNICAL DATA:

Easily accessible device,
according to standard EN 1176-1:2017

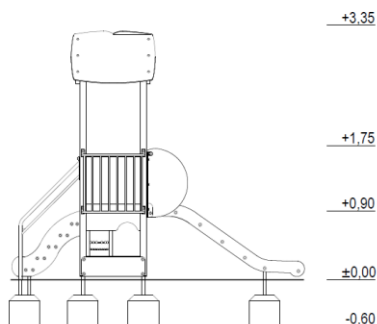
- Device dimensions: 3,82 x 1,28m
- Device height: 3,35m
- Minimum space: 7,13 x 3,99m
- Falling area: 22,28m²
- Critical fall height: 0,90m
- Foundations depth: -0,60m

Top view with falling area



The device according to EN 1176-1:2017
Playground equipment and surfacing – Part 1:
General safety requirements and test methods

- Safety surfaces:
- turf/topsoil, sand, gravel, bark, synthetic surface
 - minimal thickness for loose particulate materials 200+100mm
 - synthetic surface according to critical fall height



COMPONENTS:

Roofed square platform, height. 0,90m	1 pc
Stairs, height 0,90m	1 pc
Slide, height 0,90m	1 pc
Balcony	1 pc
Little shop	1 pc

MATERIALS:

Construction poles:	glued laminated pine timber, varnish painted dark brown
Anchors:	galvanized steel
Flat decorative elements:	HDPE sheets
Platforms, gangway:	impregnated pinewood boards, with machined anti-skid surface
Steel elements:	galvanized steel, powder coated
Surface of the slide:	stainless steel
Caps:	plastic
Foundations:	concrete min. C12/15 standard



GRUPA SATERNUS S. A.
ul. Nowa 32
41-500 Chorzów, Poland

Certificate beholder:
Producer:
Distributor:

GRUPA SATERNUS S. A. reserves all rights to protect copyright
Under the Act of February 4, 1994 on Copyright and Related Rights
(Journal of Laws No. 28, item 83), and in particular Art. 78 and 79 of this Law.

GRUPA SATERNUS S. A.
Saternus Production Sp. z o.o. sp. k.
Saternus Distribution Sp. z o.o. sp. k.