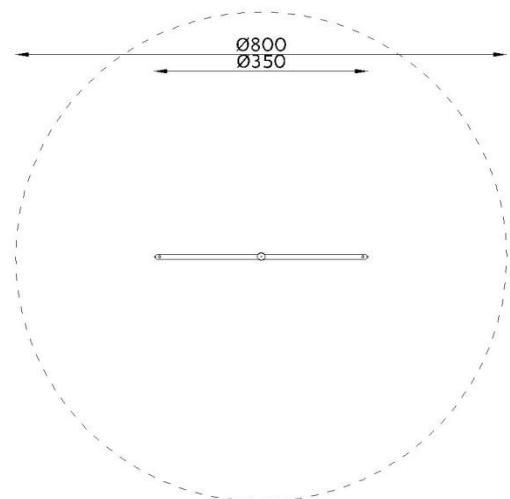


TECHNICAL DATA:

Not easily accessible device,
according to standard EN 1176-1:2017

Device dimensions:	Ø 3,50 m
Device height:	2,50 m
Minimum space:	Ø 8,00 m
Falling area:	50,26 m ²
Critical fall height:	1,85 m
Foundations depth:	-1,00 m

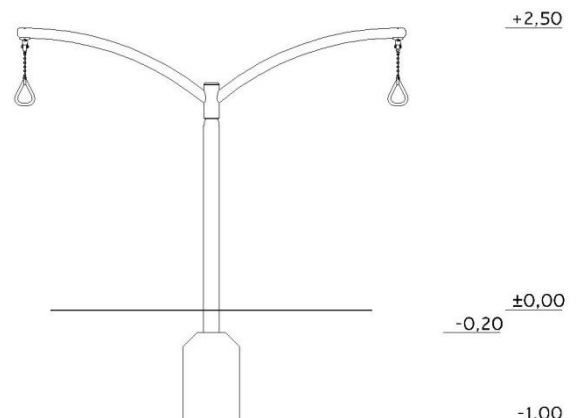
Top view with falling area



The device according to EN 1176-1:2017
Playground equipment and surfacing – Part 1:
General safety requirements and test methods

Safety surfaces:

- turf/topsoil, sand, gravel, bark, synthetic surface
- minimal thickness for loose particulate materials 200+100mm
- synthetic surface according to critical fall height



MATERIALS:

Supporting structure:	galvanized steel, powder coated in blue
Arms:	galvanized steel, powder coated in red
Handles:	steel construction coated with rubber
Chain:	calibrated, made of stainless steel
Caps:	plastic
Foundations:	concrete min. C12/15 standard



GRUPA SATERNUS S.A.
ul. Nowa 32
41-500 Chorzów, Poland

Certificate beholder:
Producer:
Distributor:

GRUPA SATERNUS S.A. reserves all rights to protect copyright
Under the Act of February 4, 1994 on Copyright and Related Rights
(Journal of Laws No. 28, pc 83), and in particular Art. 78 and 79 of this Law.

GRUPA SATERNUS S.A.
Saternus Production Sp. z o.o. sp. k.
Saternus Distribution Sp. z o.o. sp. k.